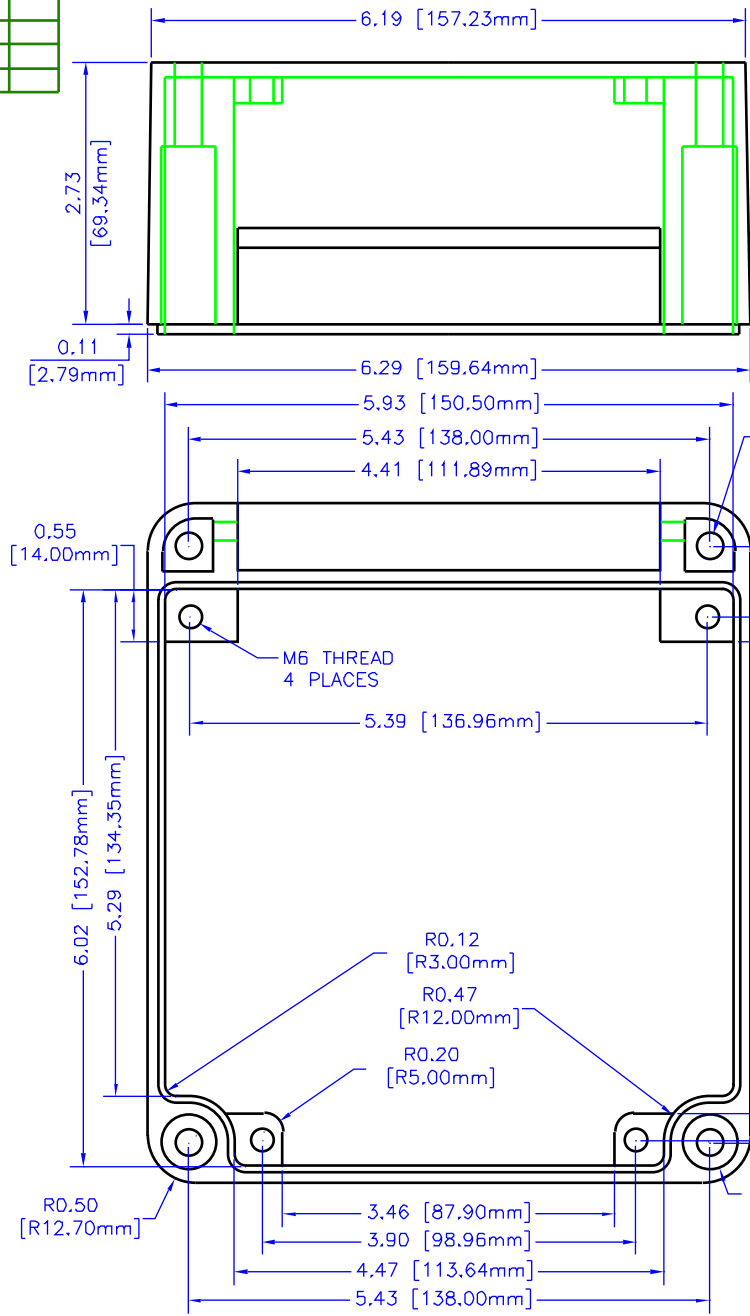


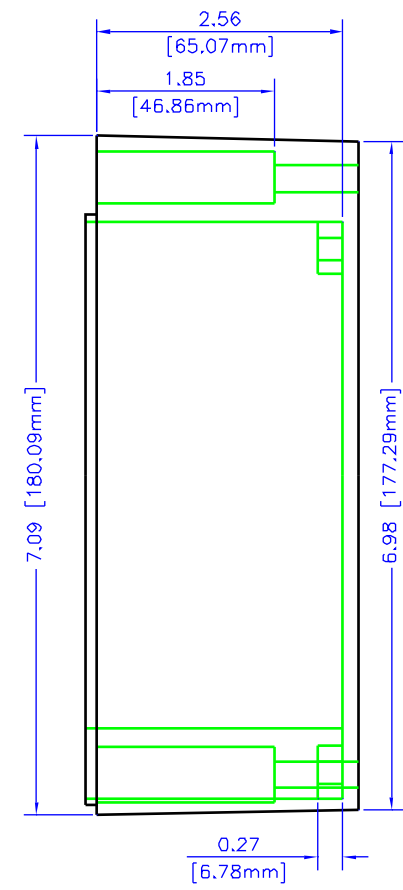
REV	DESCRIPTION	DATE



## NOTES

**MATERIAL** TWO PIECE MOLDED FIBERGLASS REINFORCED POLYESTER CONSTRUCTION, COMES WITH HINGED POLYFIBER COVER WITH A ACRYLIC WINDOW, RECESSED NEOPRENE GASKET WITH TONGUE AND GROVE CONSTRUCTION, THREADED STAINLESS STEEL INSERTS PROVIDED FOR INTERNAL MOUNTING.

**COLORS** LIGHT GRAY (RAL 7032)



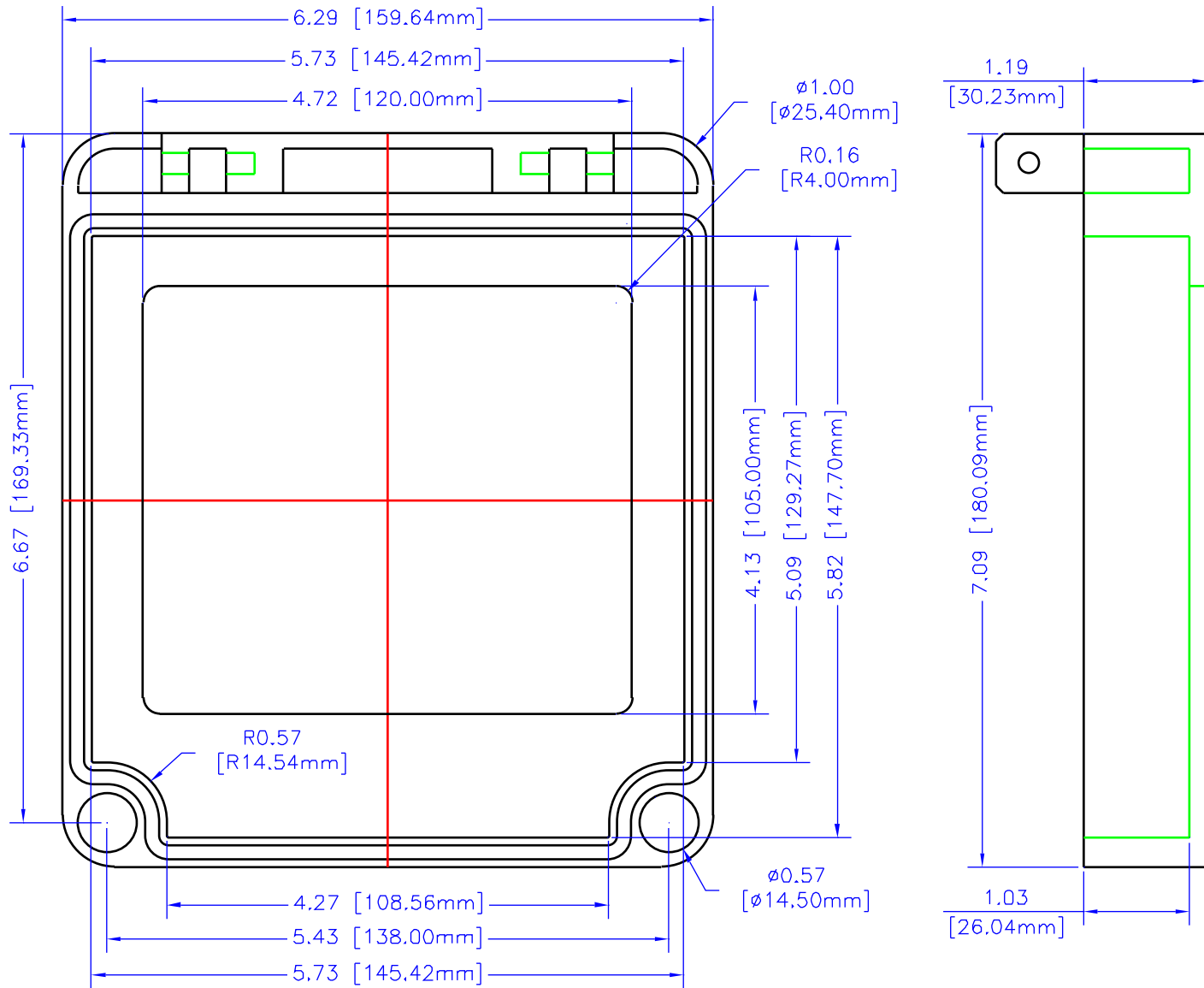
BOX VIEW

UNLESS OTHERWISE SPECIFIED DIMENSIONS ARE IN INCHES	
X	+/- .1
XX	+/- .02
XXX	+/- .015
CLFS	+/- .005
ANGLES	+/- 5 DEG
NOTES:	
UNLESS OTHERWISE SPECIFIED RIGHTS TO THE MATERIAL ON THIS DRAWING IS RESERVED TO BE USED AS A REFERENCE FOR ENGINEERING INFORMATION ONLY THIS INFORMATION MAY NOT BE USED TO MANUFACTURE PRODUCT UNLESS WRITTEN PERMISSION FROM HAMMOND MANUFACTURING.	

**HAMMOND MANUFACTURING**

WEB: [WWW.HAMMONDMFG.COM](http://WWW.HAMMONDMFG.COM)

TITLE		HAMMOND R130 SERIES POLYESTER ENCLOSURE	
DRAWN BY	MJM	DATE	12/08/01
SCALE		PAGE	1 OF 2
PART NUMBER		R131-160-000	



LID VIEW

UNLESS OTHERWISE SPECIFIED  
 DIMENSIONS ARE IN INCHES  
 X +/- .1  
 XX +/- .02  
 XXX +/- .015  
 CUTS +/- .005  
 ANGLES +/- .5 DEG  
 NOTICE  
 HAMDON CLAIMS PROPRIETARY RIGHTS TO  
 THE MATERIAL ON THIS DRAWING. IT IS  
 INTENDED TO BE USED AS A REFERENCE FOR  
 ENGINEERING INFORMATION ONLY. THIS  
 INFORMATION MAY NOT BE USED TO  
 MANUFACTURE PRODUCT WITHOUT WRITTEN  
 PERMISSION FROM HAMDON MANUFACTURING.



**HAMMOND  
 MANUFACTURING**

WEB: [WWW.HAMMONDMFG.COM](http://WWW.HAMMONDMFG.COM)

TITLE		HAMMOND R130 SERIES POLYESTER ENCLOSURE	
DRAWN BY	MJM	DATE	12/08/01
SCALE		PAGE	2 OF 2
PART NUMBER		R131-160-000	